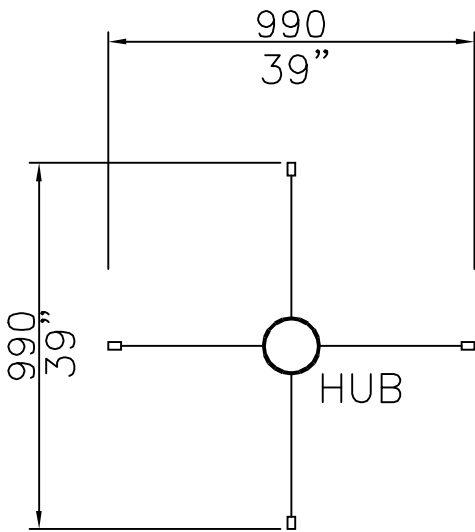


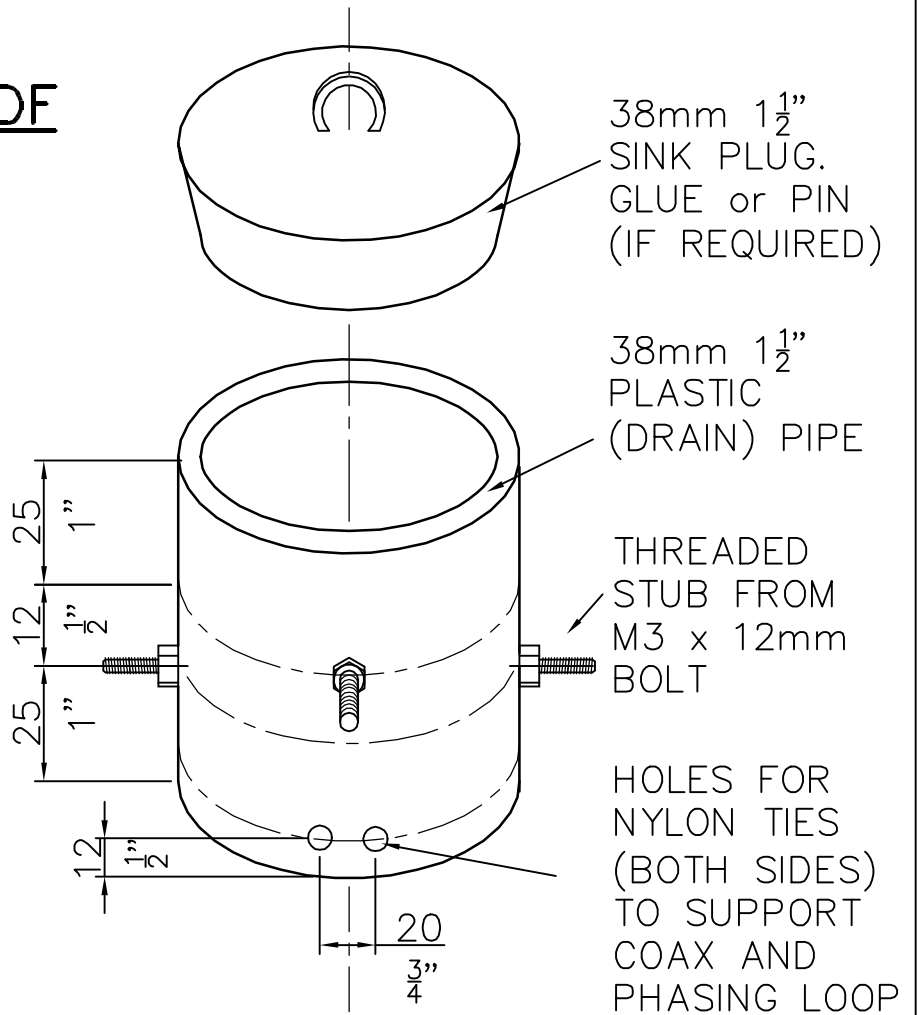
2M TURNSTILE ANTENNA FOR ARDF (144.500 Mhz)

CONSTRUCTION DETAILS

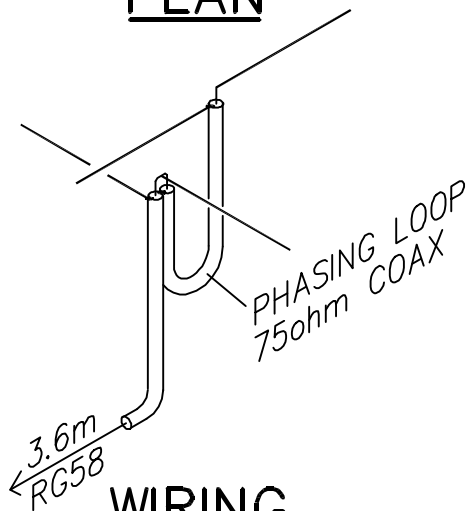
G3ZOI 03/2004



PLAN

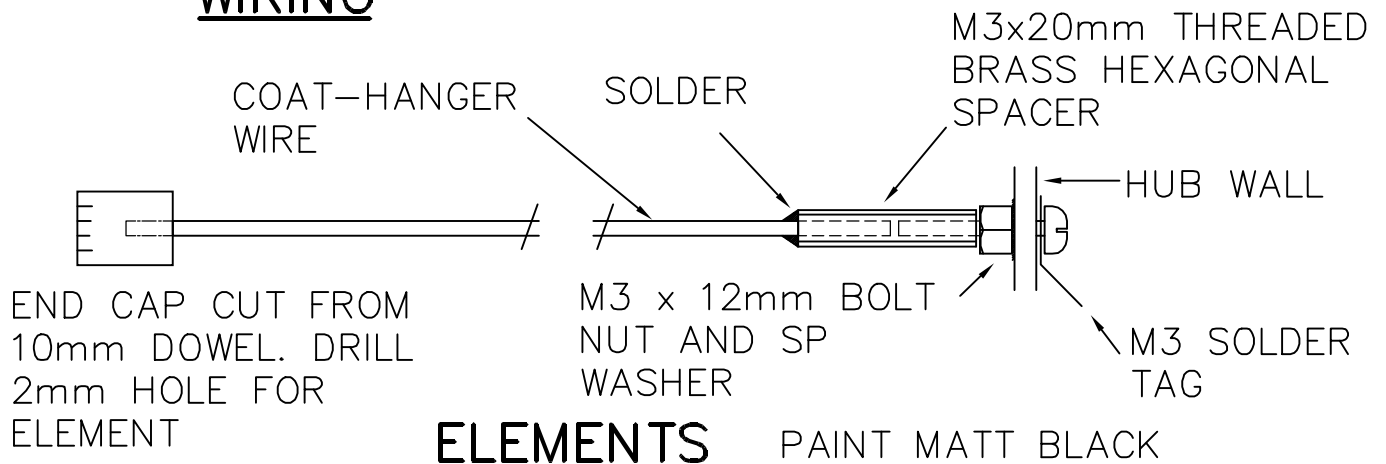


HUB



WIRING

75ohm COAX PHASING LOOP		
INSULATION	L ins	L mm
SOLID	13.5"	345
FOAM	16"	410
SEMI-AIR-SPACED	17.5"	445



ELEMENTS

PAINT MATT BLACK